

ACCUREF-K 9003D

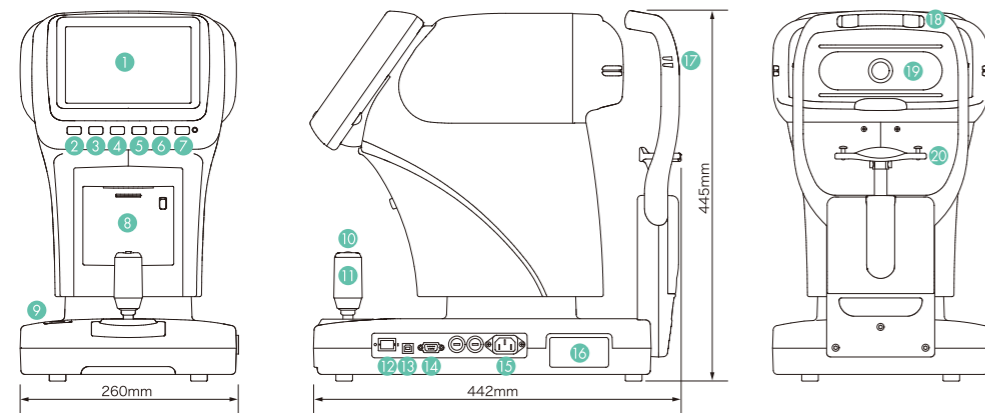
Specification

| | | |
|--------------------------------------|---|---|
| Refractive Measurement Range | Sphere (S) | -30D~+22D (In case of VD=12) (step: 0.12/0.25D) |
| | Cylinder (C) | 0~±10D (step: 0.12/0.25D) |
| | Axis (A) | 0~180° (1°) |
| Corneal Curvature Radius Measurement | Corneal Curvature Radius | 5.0~10.0mm (step: 0.01) |
| | Corneal Refractivity | 33.75~67.5D (Corneal Refractive n=1.3375) (step: 0.12/0.25D) |
| | Degree of Corneal Astigmatism | 0~±10D (step: 0.12/0.25D) |
| | Axis Angle | 0~180° (step: 1°) |
| | Refractive Measurement | φ 7.0mm |
| Vertex Distance | 0, 10, 12, 13.5, 15mm | |
| Minimum Pupil Diameter | φ 2.2 mm | |
| PD Measurement | Measurement Range 85mm (step:1) | |
| Measurement Time | Refractive Measurement | approx.0.07sec. |
| | Corneal Curvature Radius | approx.0.07sec. |
| Printer | The thermal line printer with auto-cutter (paper width57mm) | |
| Internal Monitor | 7.5inches color LCD monitor (TFT) | |
| Shifting Range of the Sliding Body | back/forth±16mm right/left±43mm up/down±12 mm | |
| Vertical Adj. Range of Chin Rest | ±30mm | |
| Dimensions | (W) 260mm (D) 442mm (H) 445mm | |
| Weight | Approx.16kg | |
| Data Output | RS-232C interface | |
| | USB | |
| Power Source | 100~240V | |
| | 50/60Hz | |
| Consumption | 90VA | |
| Power Saving Function | OFF, 3, 5, 10mins (switchable) | |

Standard Accessories

Operation Manual, Model Eye, Power Cord, Printing Paper, Fuse, Chin Rest Paper, Chin Rest Paper Pin, Dust Cover, Filing Software

Parts Identification



- 1 LCD monitor
- 2 Clear switch
- 3 3D auto/manual switch
- 4 Custom switch
- 5 Measurement mode switch
- 6 Menu switch
- 7 Print switch
- 8 Printer
- 9 Chinrest switch
- 10 Jog dial
- 11 Joy stick
- 12 Power switch
- 13 USB connector
- 14 RS-232C connector
- 15 Power plug connector
- 16 Name plate
- 17 Eye mark
- 18 Head rest
- 19 Horizontal scanning window
- 20 Chin rest

Design and specifications are subject to change without notice.

Manufacturer

Rexxam
Rexxam Co.,Ltd.

Kagawa factory
958, Ikeuchi, Konan-cho,
Takamatsu, Kagawa 761-1494, Japan

Contact

MEC Sales Division
2-8-4, Kandatsukasa-machi, Chiyoda-ku
Tokyo, 101-0048, Japan
TEL 81-3-3256-7701 FAX 81-3-3256-7702
E-mail: eye@rexam.co.jp
URL: http://www.rexxam.co.jp
URL: http://www.shin-nippon.jp



CE 0197

Distributed by

"A Human Approach to Design and Comfort"

Full Automatic & Manual Hybrid Concept

The Next Generation Auto Refkeratometer

ACCUREF-K
9003D

Next Generation Hybrid Concept Auto Refkeratometer

High dimensional integration of manual operation based under ergonomic designing and high accuracy Automatic 3D auto alignment. Faster operation speed that surpasses full automatic type.

7.5 inch TFT monitor

Bigger, better monitor, icon-display menu for easier operation and settings.



| FUNCTION | SELECT |
|----------|--------|
| START | START |
| STOP | STOP |
| MODE | MODE |
| SEARCH | SEARCH |
| PRINT | PRINT |
| HELP | HELP |
| EXIT | EXIT |
| ... | ... |



Horizontal Scanning Window

New feature "Horizontal Scanning Window" only moves the built-in camera window within the unit which gives patients comfortableness and pressure-free atmosphere. For the operator, s



Compact & Silent

Extremely compact designing and incredibly quiet movement sound (less than 40 db).

Motorized ChinRest

Operator can easily adjust the chinrest with the switch located on the operator side and enables speedy reading.

Form and design that gives comfortable atmosphere from child to elder.
Soft, smooth texture that gives warm impression.
Easy and comfortable examination from beginning to end for both patient and the operator.



| SETTING | SELECT |
|---------|--------|
| START | START |
| STOP | STOP |
| MODE | MODE |
| SEARCH | SEARCH |
| PRINT | PRINT |
| HELP | HELP |
| EXIT | EXIT |
| ... | ... |

